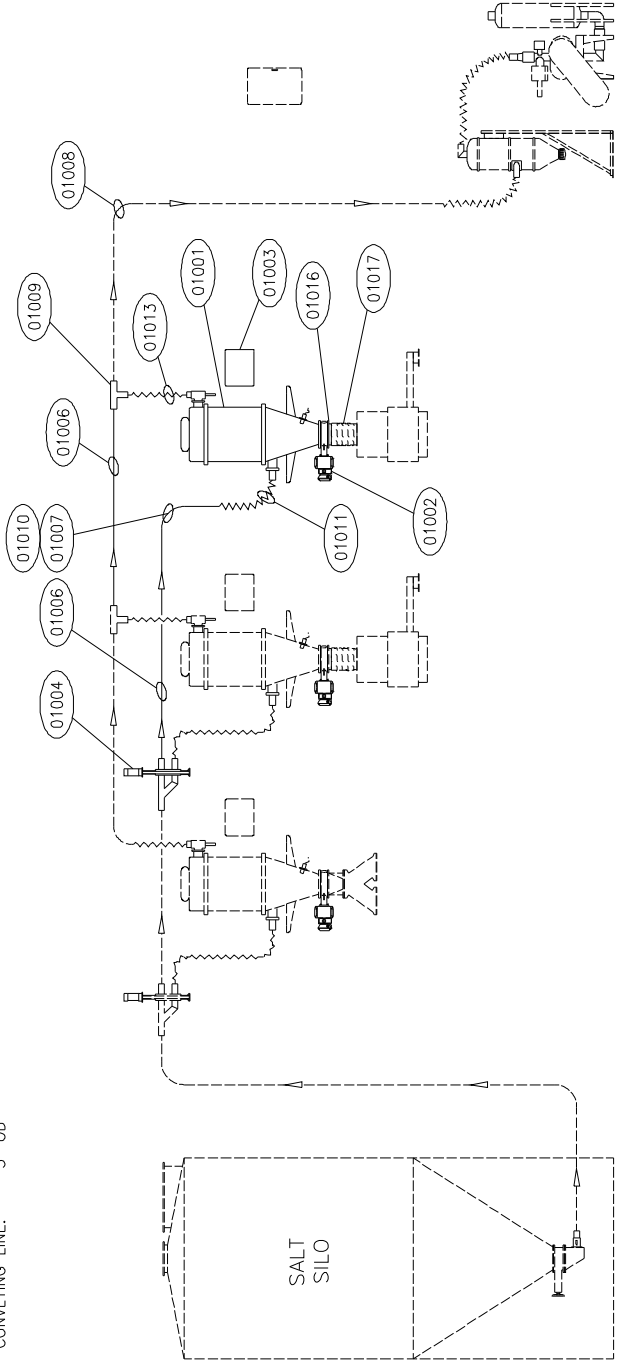


UNLESS OTHERWISE SHOWN ALL DIMENSIONS ARE IN MILLIMETERS (INCHES).

MATERIAL: SALT
 BULK DENSITY: 60-65 LBS/FT³
 CONVEYING RATE: 2,000 LBS/HR
 CONVEYING LINE: 3" OD



TRACY, CA



605 North First Street P.O. Box 17
 Salina, Kansas 67402-0017
 Telephone: (785) 825-1611
 Fax: (785) 825-1612
 www.premierpneumatics.com

Tolerance Class: COARSE
 Drawing Units: INCH
 Scale: 1:1
 Drawn: JPM 09/26/07
 Checked: Approved
 Language: EN Page: 01 of 01
 File: 0114517A
 Size: 11x17

This drawing is the property of Premier Pneumatics, Inc. It is not to be printed, photocopied, copied, loaned or used without permission.

QT14517A

① ② ③ ④ ⑤ ⑥